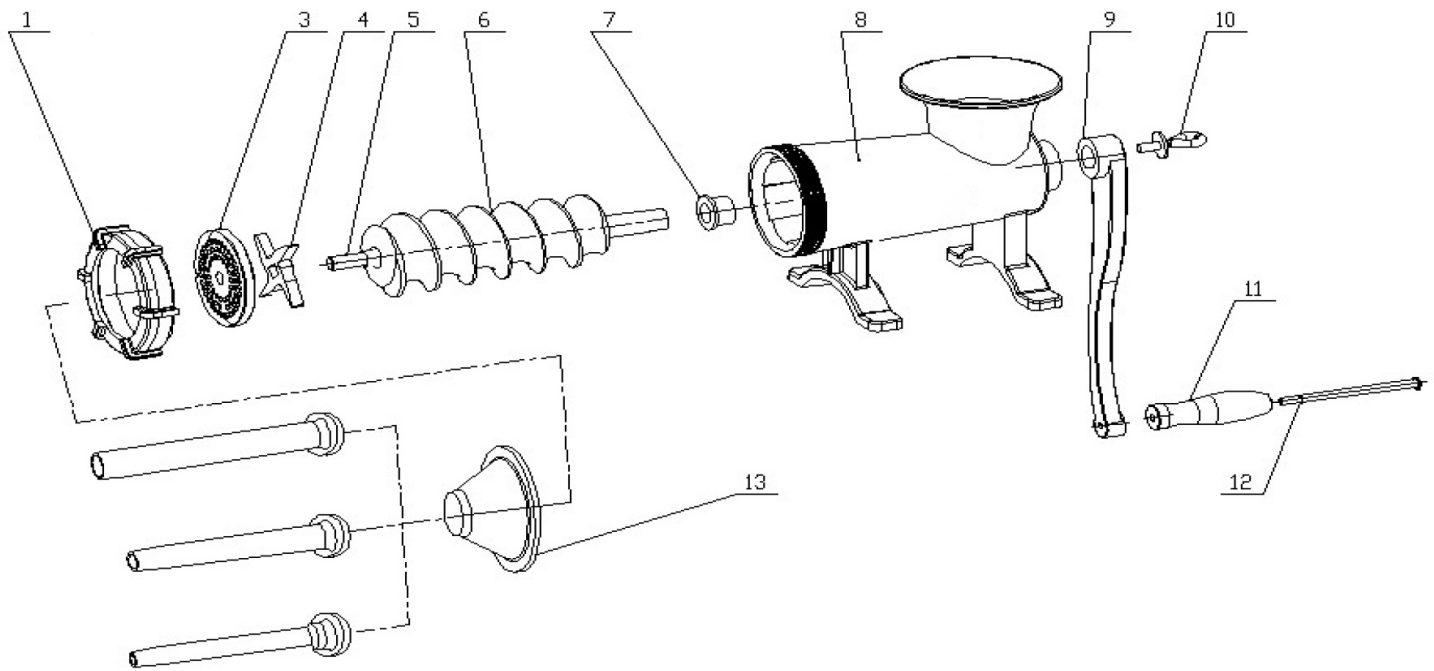


Parts Breakdown

Item 44418



Parts Breakdown

Item 44418

Item No.	Description	Position	Item No.	Description	Position	Item No.	Description	Position
AG859	Retaining Ring for 44418	1	AG865	Bushing for 44418	7	AG870	Handle Bolt for 44418	12
AG861	4.5mm Plate for 44418	3	AG866	Body / Head for 44418	8	AG871	Stuffing Tubes for 44418	13
AG862	Knife for 44418	4	AG867	Handle Arm for 44418	9	AC900	Complete Handle Set for 44418	
AG863	Auger Stud for 44418	5	AG868	Handle Screw for 44418	10			
AG864	Worm Gear / Auger for 44418	6	AG869	Handle Cover for 44418	11			